

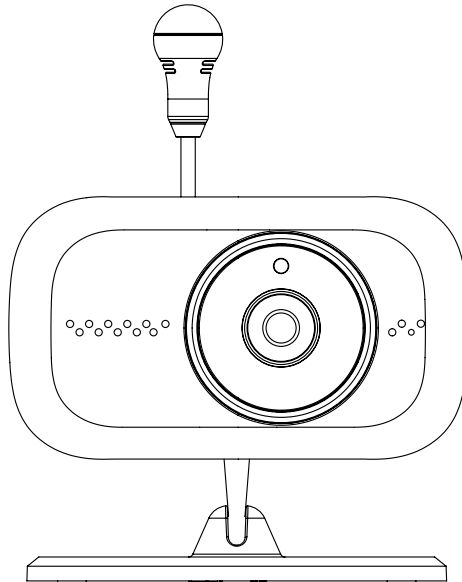


smartwares®

C730IP | 10.028.16

Baby IP Camera HD

Installation and Operating Instructions



PLEASE READ THESE INSTRUCTIONS CAREFULLY BEFORE USING THIS PRODUCT
AND KEEP THIS MANUAL FOR FUTURE REFERENCE.

Important Note

The state of the art Baby IP Camera HD is capable of delivering high quality Digital High Definition (HD) video to your smart-mobile device(s), which would require higher internet bandwidth. Due to your local internet environment condition, your mobile device(s) may display black-screen or temporary disconnect to the camera.

- * Make sure the camera is operating with sufficient internet bandwidth, **1Mbps (upload/download speed) is suggested.**
- * For best performance, **the smart-mobile device(s) need to be on Wi-Fi or 4G mobile network** in order to receive maximum download speed.
- * **When the internet transmission is low**, your WAPP APP will automatically switch to Relay Mode:
 - **By adjusting to “Better Streaming” in the system setting section may improve the camera performance.**
- * **Your internet bandwidth is limited.** For best performance, try to avoid more than two users connecting to the camera simultaneously.
- * Make sure your smart-mobile device(s) is equipped with up-to-date technology, **1.5GHz dual core processor or equivalent is suggested.**
- * **If the signal strength of your Wi-Fi router is weak**, there are several ways to improve transmission:
 - Change router/camera relative position to receive better signal.
 - Use wire Ethernet cable on the camera to establish connection between camera and your router.
 - Use Wi-Fi repeater/extender to maximize the service range of your Wi-Fi route.
 - Switch your router to 11b/11g mode in order to improve router service range.
 - Purchase extension cable or high gain antenna for your camera from the vendor.
- * Please make sure the memory card used is **CLASS10** rated.

CONTENTS

INTRODUCTION	2
IMPORTANT SAFETY PRECAUTIONS.....	2
KIT CONTENT	4
NIGHT VISION	5
CAMERA INSTALLATION	5
CAMERA OVERVIEW	6
SETUP THE CAMERA	7
MAIN SCREEN OVERVIEW.....	9
VIEW SNAPSHOT	11
VIEWING YOUR SNAPSHOTS	11
PLAYBACK RECORDED VIDEOS.....	12
MANUAL RECORD.....	16
PUSH-TO-TALK.....	16
LULLABY	16
REFRESH.....	16
IMAGE ADJUST	17
CAMERA SETTING.....	17
NOTIFY (PUSH NOTIFICATION)	18
ADVANCED SETTING	19
TROUBLE SHOOTING	22
PRODUCT SPECIFICATION.....	25
STORAGE MEDIA MANAGEMENT	26
APPENDIX: COMPATIBLE LIST.....	27

INTRODUCTION

PLEASE READ BEFORE YOU START

Always use discretion when installing monitoring system, especially when local regulation(s) may have certain policy concerning the surveillance, video recording and/or listen-in function(s) the device have to offer. Please check with your local authority for more detail. Third party consent may also be required.

WIRELESS BABY MONITOR OPERATING RANGE

To ensure maximum signal transmission performance, if necessary, the distance between the wireless monitor and Wi-Fi router may need to be reduced. The wireless baby monitor is operating on a 2.4GHz frequency therefore the performance of wireless baby monitor may also be influenced by other device(s) operating on the same frequency, such as neighbor's Wi-Fi network, cordless phone, microwave oven, etc.

IMPORTANT SAFETY PRECAUTIONS

Damages caused by non-compliance with this operating manual will void the warranty! We will not assume any liability for damages to items or persons caused by improper handling or non-compliance with the safety notices! Any warranty claim will be null and void in such cases.

1. Do not drop, puncture or disassemble the camera; otherwise the warranty will be voided.
2. Avoid all contact with water, and dry hands before using.
3. Never tug on the power cords. Use the plug to unplug it from the wall outlet.
4. Do not expose the camera to high temperature or leave it in direct sunlight. Doing so may damage the camera or cause camera temporary malfunction.
5. Use the devices with care. Avoid pressing hard on the camera body.
6. For your own safety, avoid using the camera or power off the camera when there is a storm or lightning.
7. Remove the power adapter during long periods between usages.
8. Use only the accessories and power adapters supplied by the manufacturer.
9. To meet the regulations pertaining to parental responsibility, keep the devices out of the reach of infants.
10. Check power cables, do not get crushed or damaged by sharp edges whenever the devices are in operation.
11. Keep the power cord at least 3 feet away from infant. NEVER allowing infant to be able to reach the wireless baby monitor.





FCC Compliance Statement: This device complies with Part 15 of the FCC rules. Operation is subjected to the following two conditions: (1) this device must not cause harmful interference, and (2) this device must accept any interference received, including interference that may cause undesired operation.



Products with CE Marking comply with EMC Directive (2004/108/EC); Low Voltage Directive (73/23/EEC); R&TTE(1999/5/EC); ROHS Directive (2011/65/EU) issued by the Commission of the European Community. Compliance with these directives implies conformity to the following European Norms:
EMC: EN 301 489
LVD: EN 60950
Radio: EN 300 328

FCC/CE WARNING

This equipment has been tested and found to comply with limits for a Class B digital device, pursuant to Part 15 of the FCC rules and ETSI(EN) 300328. These limits are designed to provide reasonable protection against harmful interference in residential installations. This equipment generates, uses, and can radiate radio frequency energy, and if not installed and used in accordance with the instructions, may cause harmful interference to radio communications. However, there is no guarantee that interference

will not occur in a particular installation. If this equipment does interference to radio or television equipment reception, which can be determined by turning the equipment off and on, the user is encouraged to try to correct the interference by one or more of the following measures:

- Reorient or relocate the receiving antenna.
- Move the equipment away from the receiver.
- Plug the equipment into an outlet on a circuit different from that to which the receiver is connected.
- Consult the dealer or an experienced radio/television technician for additional suggestions.

You are cautioned that any change or modifications to the equipment not expressly approved by the party responsible for compliance could void your authority to operate such equipment.

DISPOSAL



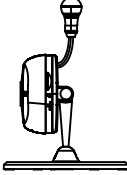
If the camera system no longer functions or can no longer be repaired, it must be disposed of according to the valid statutory regulations.

Disposal of spent batteries/accumulators:

You are required by law (Battery Ordinance) to return all spent batteries and accumulators. Disposing of spent batteries/accumulators with common household waste is prohibited! Batteries/accumulators that contain hazardous substances are marked with the symbols on the side. These symbols indicate that it is prohibited to dispose of these batteries/accumulators in the household waste. The abbreviations for the respective heavy metals are: Cd=cadmium, Hg=mercury, Pb=lead. You can return spent batteries and accumulators that can no longer be charged to the designated collection points in your community, outlets or wherever batteries or accumulators are sold. Following these instructions will allow you to fulfill the legal requirements and contribute to the protection of our environment!

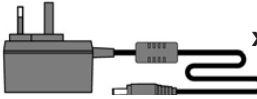
KIT CONTENT

Camera (including stand & wall-bracket)




x 1

Power Adapter



x 1

Quick Start Guide



x 1

- Tools Required:**
- Electric drill
 - 5mm masonry drill bit
 - 15mm masonry drill bit
 - No. 2 Philips screwdriver

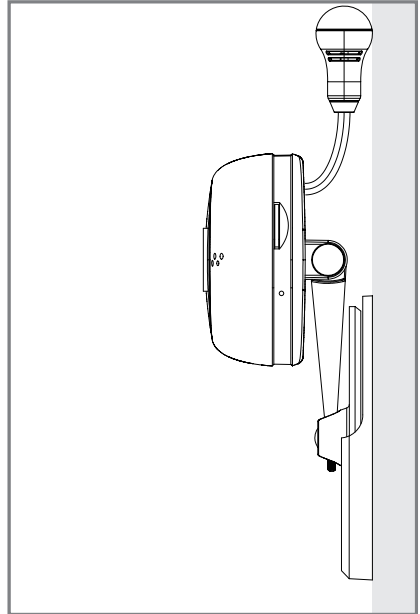
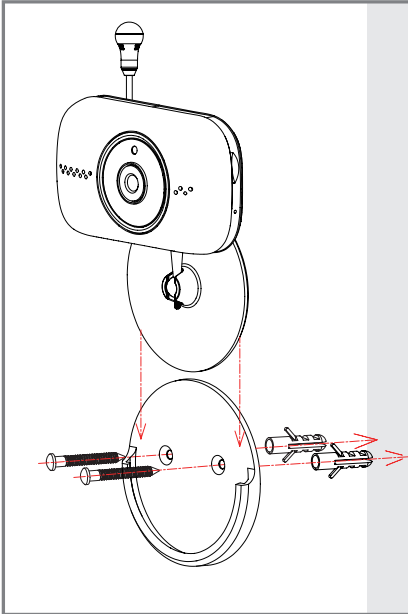
For best system performance:

- iOS: iPhone5 / iPad2 / Mini iPad or above.
- Android: 1.5G dual core processor dual core processor with 1G Ram or above.
- Storage: Class 10 memory card.
- Bandwidth: 1Mbps or above upload/download speed suggested.

NIGHT VISION

The camera has built-in infrared LEDs to allow you to view at night for 24-hour surveillance. The LEDs will automatically activate at low light environment and the picture viewed will turn to black and white. The night viewing range is up to 5 meters.

CAMERA INSTALLATION

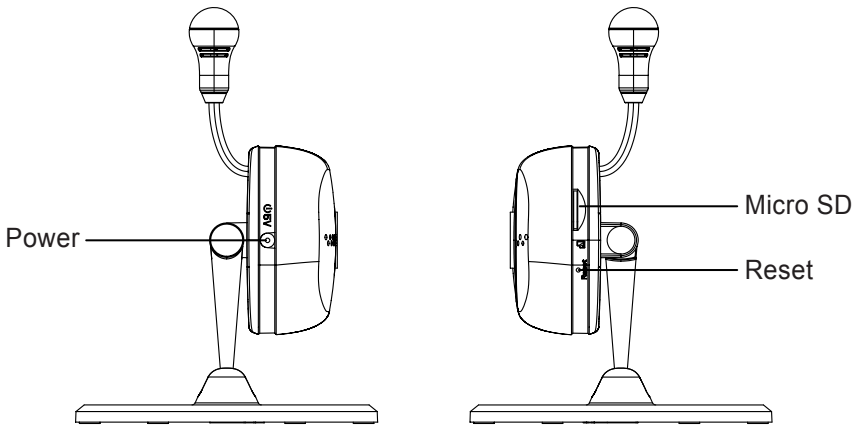
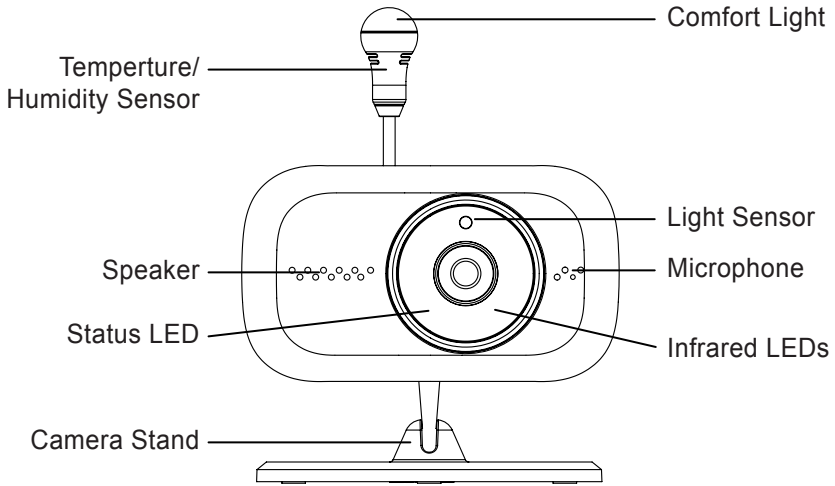


1. Place the mounting base on the mounting surface as a pattern to mark the holes.
2. Drill the mounting holes and use the wall plug screws to secure the mounting base to the wall.
3. Please the camera stand into the mounting base for wall mount installation.

Note:

The wall mount bracket will not be necessary when placing the camera on flat surfaces.

CAMERA OVERVIEW



SETUP THE CAMERA

1. APP Download

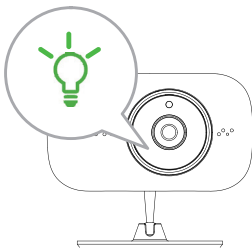
Download the APP from APP Store/Google Play.

APP Name: BabyAdore





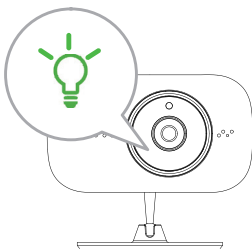
2. Power up the camera

- (1) Provide power to the camera by using the supplied camera power adaptor.
- (2) 60 seconds later the GREEN LED will flash, go on to step 3.



3. MAKING CONNECTION (camera - mobile device)

- (1) Go to the "Wi-Fi" setting section of mobile device and look for the camera's SSID (e.g., "HD-000123") uniquely assigned for your camera. Select the camera's SSID to connect.
- (2) Enter the default password 12345678. Save the setting and exit the Wi-Fi setting section.
- (3) Launch the OMG Care app and tap the "ADD Camera" icon  the "Camera Info" section will appear, tap "Search"  and select the camera's DID.
- (4) Enter the camera name preferred and camera's default password 123456. Tap "Save" to exit.



Note:

Every camera has its unique DID and you can locate the information on the back of the camera. If for any reason the Search function cannot automatically bring up the DID information, you can always manually input the DID (including the dashes).

4. MAKING CONNECTION (camera - Wi-Fi router)

This is the last part of the camera setup. After this your camera will be ready to go

- (1) Tap the "Camera Edit" icon (Camera Edit Icon) select "Camera Info" icon (Camera Info Icon), select "Advanced" and enter the default admin password 123456 to enter the camera's advanced setting section.
- (2) Scroll to "Wi-Fi Setting" section, select your Wi-Fi router and enter its password.



Choose the appropriate Wi-Fi router for your local network

- (3) Camera will now reboot automatically. In less than 60 seconds the GREEN LED in front of the camera will light up again.

Note:

The camera can only accept SSID (the name of your Wi-Fi router) composed with English alphabet characters and arebic numbers. Non-English and special characters (*&^%\$#@!) cannot be accepted. Please follow setup instructions of your Wi-Fi router to RENAME the router.

Change Router/Camera Reset

After setup completes, the camera will ONLY communicate with assigned Wi-Fi router therefore if you switch to a new Wi-Fi router you must reassign the new router to your camera. Please follow steps below to complete the setup.

- RESET Camera - While the camera is powered on, use a small pin to hold down the RESET KEY (P6) for 5s. The camera will reboot and all settings return factory defaults.
- Please reference "3. MAKING CONNECTION (camera - mobile device) on P7.
- Please reference "4. MAKING CONNECTION (camera - Wi-Fi router) on P8.

MAIN SCREEN OVERVIEW

After launch the app the app will display live-view. By default, all the control icons are hidden until the user tapping anywhere on screen. User can quickly switch channels by using the <CH/CH> icons when multiple cameras are registered to the app. User can also perform other control functions by tapping on the following control icons.



Tap to turn on/off the volume in Live View mode.



Tap to capture screen images.



Tap to record video in device memory card.



Tap and hold the icon to talk in both direction (Push to Talk).



Tap to lullaby music.



Tap to re-fresh.



Tap to switch camera.



Tap to switch between Fahrenheit and Celsius.




Humidity display.

The controls and the layout design has been maximized to meet the operating system requirements of the mobile devices. The main page will display in landscape mode by default.

Note:

Once the recording is started by motion detection or manually, the APP will continue the recording for 1 minute. User cannot stop the recording during this period.

VIEW SNAPSHOTS

Tap on  once to take a snapshot of the screen.

For iOS

Snapshot images are saved in the Camera Roll section of the mobile device. The file name of the snapshots will be the time of when the images captured (YYYY/MM/DD/HH/MM).


For Android

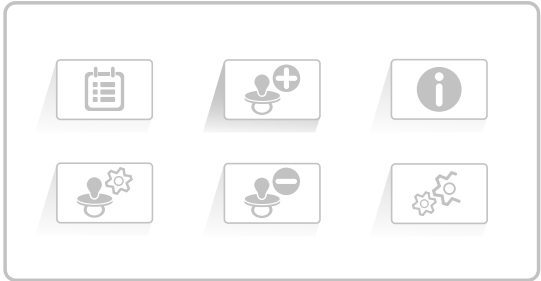
Snapshot images are saved in the Photo Gallery/Snapshot folder in the mobile device. The file name of the snapshots will be the time of when the images are captured (YYYY/MM/DD/MM).




PLAYBACK RECORDED VIDEOS

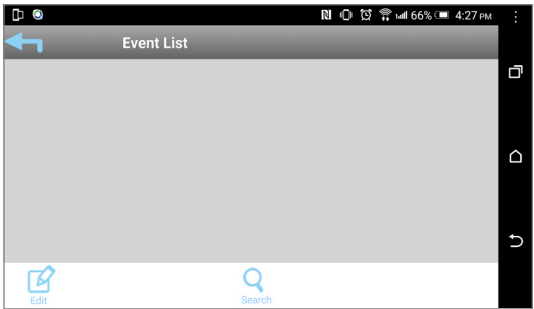
The recorded video file(s) on your camera is automatically saved to the memory card inserted in your camera. You can remotely access the file(s) for playback via OMG Care app.

1. Tap  in the main screen (Live-view) to bring up camera setting section.



2. Tap  to enter Event List section.

Once in Event List section you will see recorded video events within the 24 hours period. Tap the file once for normal resolution event video playback.



User can Pause the video or Mute audio at anytime. Tap Go Back to return to Event List section.

User can allocate the recorded video files to PC for playback via memory card transfer. For best playback performance user can use "Free Video Converter". The software can be downloaded from:

http://www.freemake.com/free_video_converter/

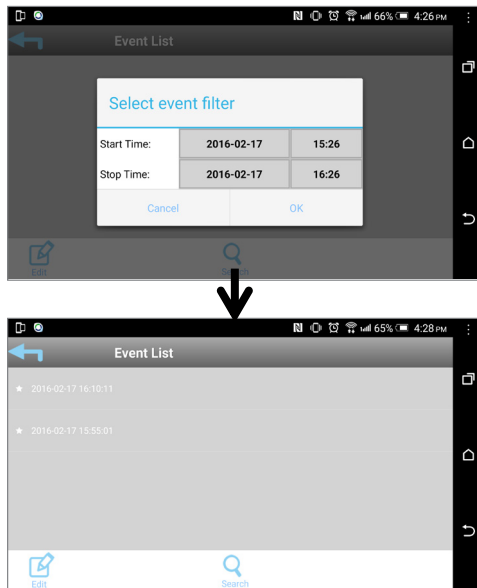
or <http://www.videolap.org/>

Note:


- A. User's local network environment/speed will determine the overall playback experience.
- B. The video is using FFmpeg codec and is compressed via latest H.264 compression method.

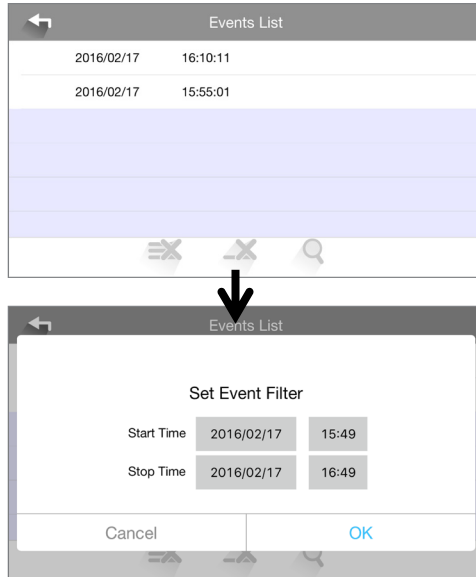
To search for files in a particular time period, tap (search) to bring up the Event Filter. Enter the Start and End Time for available video events.

For Android:



For iOS:

Tap  to bring up the Event Filter.



· To View HD Event Video

User can view HD format event videos. Due to the data size user must download the file first before playback. It is strongly suggested to download the file(s) at your home Wi-Fi network (WLAN), where the mobile device is connecting to the same Wi-Fi router as the camera. Minimum bandwidth requirement is 1Mbps (upload/download). Download process may be stopped if the bandwidth is too slow and cannot continue.

To download the HD event videos, press and hold the event file preferred in the Event List for 3 seconds.

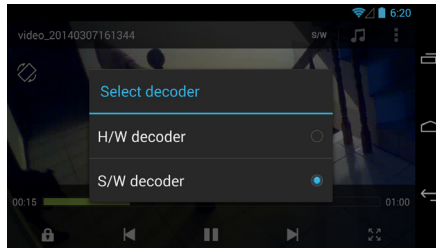


Note:

During the download system will stop both Live-view and Recording functions, and the app will also inform any user accessing the camera that the system is busy and connection is not available.




Once the HD Video Event File downloaded, use following apps for playback:

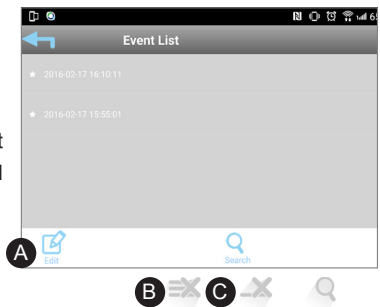
- A. For iOS, please use "Oplayer Lite". You can download the app for free from the Apple Store. The downloaded HD Video Event files are automatically saved in the Camera Roll section of the mobile device.
- B. For Android, please use "MX Player". You can download the app for free from Google Play. The downloaded HD Video Event files are automatically saved in the Photo Gallery/Snapshot folder of the mobile device.





· DELETE EVENT VIDEO(S)

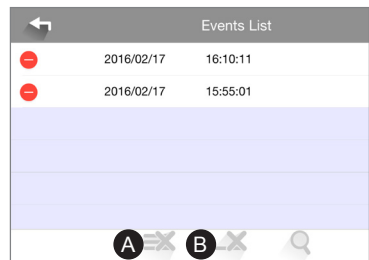
For Android:

- A First tap  icon.
- B To delete all files at once, tap  and confirm action.
- C To delete particular file(s), first select the files and tap  to delete selected file(s).




For iOS:

- A To delete all files at once, tap  and confirm action.
- B To delete particular file(s), tap  and select the file to delete.




MANUAL RECORD

While at the Live-View section, tap  once and camera will begin recording for 60 seconds.

The 60 seconds video clip will be saved at the memory card inserted in the camera. To view the video clip, please refer to "PLAYBACK RECORDED VIDEOS" section for more detail.

PUSH-TO-TALK


While at the Live-View section, hold down the  to speak. While speaking the audio from the camera will stop and resume when you release the icon.

LULLABY

While at the Live-View section, tap  to bring up the Lullaby Playback page.



REFRESH

Tap  to re-establish the connection between the app and the camera. Connection status

indicator:

X = connection lost

O = connected

IMAGE ADJUST

While at the Live-View section, tap  to bring up the Image Adjust page.



Resolution: Select VGA or HD video display. Select HD video display only when you have sufficient internet bandwidth.



Backlight Gain: Activate the backlight gain when the camera is facing bright light source, such as window or lamp.



Mirror/Flip: Depending on the camera installation location, you can use mirror and or flip function to adjust the video display.



Brightness Control: Brighten or darken the video image:
1 = Darkest / 5 = Brightest

CAMERA SETTING

While at the Live-View section, tap  to bring up the Camera Setting page.



Lullaby Icon Display On/Off: You can choose to hide the Lullaby Icon from the Live-View section.



Event List: See “Playback Recorded Video” section for more details.



Add Camera: Add additional camera(s) to the app. See “Setup the Camera” section for more details.



Delete Camera: Delete the camera from the app.



Edit Camera Information: Change camera name and enable/disable E-Mail Alert.

The screenshot shows a form with the following fields and controls:

- System Name:** A text input field with a cursor.
- DID:** A text input field containing the value "00XX-000270-K2YVW".
- Security Code:** A text input field with three dots indicating a masked password.
- Enable E-Mail alert:** A toggle switch currently in the "off" position.
- At the bottom, there are three icons: a magnifying glass (search), a close button (X), and a checkmark.

Tap here to change camera name

Enable/disable E-Mail Alert



About: You will find app and camera firmware version information here.



Advance Setting: In this section you have access to detail camera settings, such as Time, Wi-Fi Network, Email Alert, etc. You will require to have specific password to enter the advance setting section. Please refer to P19 for more details.

NOTIFY (PUSH NOTIFICATION)

The camera offers motion detection function therefore upon detection motion event the camera will send out push notification to user's mobile device.

For iOS

If you want to enable/disable it, please follow the steps on your iOS mobile device:

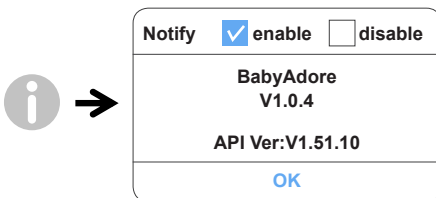
1. Launch Settings from your Home screen.
2. Tap Notifications.
3. Scroll down to find "BabyAdore" and enter.
4. Tap on the toggle to activate/deactivate the notification function.

Note:

It will take 2 hours time for iOS notification to kick in after enabling the function.

For Android

If you want to enable/disable it, please follow the steps below.



Note:

The internet connection and wireless network interference may influence the performance of push notification service.

ADVANCED SETTING

This chapter explains the advanced settings for administrator. Administrator is the one who owns the administration password and has the full control to the camera, including having access to all camera functions and settings, while general users can receive the surveillance images for live-view/screen capture/video recording and may not manage the camera settings.

Admin Password	The security code required to enter Advanced Setting for system setting management.
Email Alert	Enable / Disable receiving E-Mail alert (after system detecting motion) on your mobile device. Please make sure you have setup the E-Mail Setting correctly and have activated Motion Detection function.
Time Zone	Setup the appropriate time zone .
Daylight saving	Turn ON/OFF the daylight saving function.
Device Security Code	The password required for remote access.
Video Quality	Configure the video resolution for recording and streaming.
Wi-Fi	Manage your Wi-Fi Network.
Notify Enable	Activate/Deactivate the push notification function (apply to all users).
Detect Mode	Enable/Disable and sensitivity level adjustment for motion, audio, temperature and humidity detection.
E-Mail	Setup your email account for E-mail alert .
SD Card Format	Format the SD Card. All data will be erased afterwards.
SD Card Overwrite	Activate/Deactivate the overwrite function. When the SD card is full, system will erase the earliest file for more recording space.
Device Information	Containing information regarding app and camera firmware versions.

Note:

It may take more than one minute for some routers to update the registered devices. When you complete advanced settings and return to device list, please wait for a while allowing your router to finish the camera registration.

ADMIN PASSWORD

The Admin Password is a specific security code for administrator to change the advanced settings. The default admin password is 123456.

Please use this function to change the default admin password into your personal admin password. For the protection of your system configuration, every time you change the advanced settings, you need to enter the admin password. Please change the admin password periodically.

Note:

If you forgot your admin password, please long press the reset button for 5 seconds to restore the password into factory default value 123456 (please refer to the Camera Overview section). All settings will be restored to factory default. You will need to configure your camera Settings.

EMAIL ALERT

When motion detection is enabled and system detects movement:

- With Push Notification enabled, system will send out notification message to user's mobile device.
- With Email Alert enabled, system will send out Email to alert user the event.

Note:

By default, the system has been limited to send out the email alert every 1 minutes to prevent overloading user's email account.

TIME ZONE

The drop-down list shows the world time zone. Select the time zone that will work the best for you.

DAYLIGHT SAVING

Enable/Disable the daylight saving function.

DEVICE SECURITY CODE

The Security Code is for remotely accessing the camera and by default the security code is 123456. For maximum security purpose please change the default security code.

1. Type in the old password.
2. Type in the new password and confirm the new password again.
3. Tap OK to save the setting.

Note:

1. Change password in system information page accordingly.
2. If you forget the Device Security Code, please hold down the reset button (P.8) for 5seconds to reset the system to factory default. All settings will be restored to factory default. You will need to configure your camera from the start.

VIDEO SETTINGS

This section allows you to configure the video quality and environment mode.

Video Quality

By selecting better video image will allow you to view high resolution image. By selecting better streaming will allow the video to display more smoothly (quality depend on local internet environment).

Only select better image when you have sufficient bandwidth and updated mobile device(s). Please refer to P.4 for system requirement.

WI-FI SETTING

The Wi-Fi setting allows you to choose the wireless connection and setup the Wi-Fi environment.

When you tap the “Manage Wi-Fi network” button, the system automatically scans the nearby network and shows the available Wi-Fi routers in the drop-down list. Choose the appropriate Wi-Fi router and enter the Wi-Fi router password if necessary. Due to security concerns, it is suggested to use the WPA/WPA2/ WPA2-PSK protocol for Wi-Fi network.

SD Card FORMAT

Formatting your memory card will **ERASE** all the data from it and you will not be able to get the data back. Please back up your video files **BEFORE** formatting the memory card.

Note:

The system is optimized to Class 10 memory card. Memory card with lower specification will decrease the recording and playback function efficiency.

During format process, all recording & viewing will stop until format process completes.

OVERWRITE SD CARD

This function will overwrite the oldest files when the micro memory card is full. Turning on this function will enable the system to start overwriting the old files when the available memory card capacity is not enough. This ensures the most up to date video recordings can be saved so that you won't miss any important information.

Note:

You will want to reformat the memory card from time to time to ensure the condition of the storage device. Your camera system will not work properly if the memory card become corrupted.

DEVICE INFORMATION

This section shows the device information about the camera, including device version, total size and available size of the memory card.

TROUBLE SHOOTING

IF	SOLUTION
The APP cannot find the camera	<ul style="list-style-type: none"> • Make sure your network supports the DHCP protocol. • Make sure the camera and your mobile device connect to the same Wi-Fi router for the first setting. • Make sure the Wi-Fi router is activated. • Make sure the camera is properly powered on. • Use the “ADD CAMERA” function to manually add the camera.
Wi-Fi router is not shown in the drop down list	<ul style="list-style-type: none"> • Make sure SSID broadcasting function is enabled in the Wi-Fi router. Consult your Wi-Fi router manufacturer for the settings if necessary. • Change the wireless security protocol of your Wi-Fi router into WPA/WPA2/WPA2-PSK. Due to security concerns, WEP protocol is not suggested for some Wi-Fi routers. <div style="border: 1px solid #ccc; border-radius: 10px; padding: 10px; margin-top: 10px;"> <p>Note: WPA/WPA2/WPA2-PSK encryption protocols are newer and more effective security standards for wireless networks than the older and less-secure WEP protocol.</p> </div>
No image appears	<ul style="list-style-type: none"> • Make sure the power adaptor is not damaged or defective and plugged into an electrical outlet with power. • Relocate the camera to obtain the best reception of wireless signals. • Make sure the camera is properly configured in App. • Make sure the mobile device is connected to 3G/4G/Wi-Fi properly.
Low wireless signal Poor image quality	<ul style="list-style-type: none"> • Wireless devices such as wireless home stereo system may reduce the signal strength. Leave as much space as possible between the camera/mobile device and these wireless devices. • Clean the camera lens using lens cleaning cloth. Spots or dust on the lens can also cause image quality problems.
Motion detection is not working or over-react	<ul style="list-style-type: none"> • Make sure the sensitivity setting is turned ON (please refer to the Sensitivity Setting section). • In motion detection mode, a moving object within the camera viewing angle is necessary to trigger the motion sensor for recording

<p>The APP cannot record any video clips</p>	<ul style="list-style-type: none"> • Make sure the SD card has been correctly inserted • Make sure the motion detection function has been enabled. (please refer to the Sensitivity Setting section). • Please format the SD card when it is used for the first time (please refer to the SD Card Format section) • Make sure you are using Class 10 rated memory card.
<p>Email alert is not working</p>	<ul style="list-style-type: none"> • Make sure the email alert function is enabled (please refer to the Email Alert section). • Gmail account is suggested for the email alert function. Make sure you have setup the system configuration as suggested in the Email Alert section. • Make sure the email address is has been correctly entered.
<p>Bright white spots appear at night time</p>	<ul style="list-style-type: none"> • The camera's infrared LEDs produce invisible light that reflects off surfaces such as glass. Install the camera on the other side of windows or place the lens flush against the surface to improve the night vision. It is suggested to install camera(s) under well-lit area. <div style="background-color: #f0f0f0; padding: 10px; border-radius: 10px; margin-top: 10px;"> <p>Note: Please check the environment rating (Ingress) of the camera(s) before installing outdoors.</p> </div>
<p>Memory card error</p>	<ul style="list-style-type: none"> • Make sure the memory card is correctly inserted and formatted. • Use the provided memory card within the package to ensure proper operation. • Make sure your are using Class 10 rated memory card. <div style="background-color: #f0f0f0; padding: 10px; border-radius: 10px; margin-top: 10px;"> <p>Note: Please backup the data before formatting. Format function will erase all the data on the memory card.</p> </div>

<p>Wrong data and time are shown</p>	<ul style="list-style-type: none">• Wrong date and/or time will result in unexpected record schedule. Make sure you've selected the correct time zone (please refer to the Time Zone section).• Confirm the system date/time of the mobile device to ensure correct operation.• System will clock itself when connect to the internet. Make sure the system is connected properly to the internet. You may use your mobile device to access the system to see if remote view is functioning properly.
--------------------------------------	---

PRODUCTION SPECIFICATION

Networking Parameter	
Wireless Technology	IEEE 802.11 b/g/n
Network Connection	Wi-Fi
Network Protocols	TCP/IP, UDP, SMTP, NTP, DHCP, ARP
Simultaneous Viewers	3 Concurrent Sessions
Security	WPA /WPA2/WPA2-PSK (TKIP, 128 bit AES)
Camera Parameter	
Image Sensor	Mega pixel CMOS
Antenna	3dBi Dipole
Environment Rating (Ingress)	Indoor Use Only
Light Source Environment	Indoor (50Hz); Indoor (60Hz)
Local Storage	Micro SD Card memory (not included in the package)
Viewing angle	H: 75°±3°, V: 45°±3°
Min. Illumination	1~8 lux
Number of LEDs	5 IR LEDs with IR switcher
IR Distance	Maximum 5 Meters
Video Audio Parameter	
Image Compression	H.264
Image Resolution	HD 1280x720
Recording Frame Rate	720P@20 FPS
Supported Mobile Device	
iOS requirement	iPhone 4S / iPad Mini / iPad 2 with iOS 6.0 or above
Android requirement	Android 4.1X or above
Hardware requirement	1.5GHz dual core or above 1GB or above internal memory
General Parameter	
Power Requirements	100~240V switching power supply DC 5V 1.5A
Operating Temperature	-10°~+50°C

STORAGE MEDIA MANAGEMENT

Micro SD Card Capacity (Class 10)	Event	Minutes
4G	220	220
8G	440	440
16G	880	880
32G	1,760	1,760

APPENDIX: COMPATIBLE LIST

WiFi Compatible Router List

Brand	Product Name
ASUS	RT-N53
BUFFALO	WIR-HP-C300NH2
BUFFALO	WZR-HP-G450
Cisco	ERT120
D-Link	DIR-816L
Huawei	WSR20
INTELBRAS	WRN300
NETGEAR	Wnvr3700v4
NETGEAR	WGR614
Tenda	FS395
TP-link	TL-WR941N