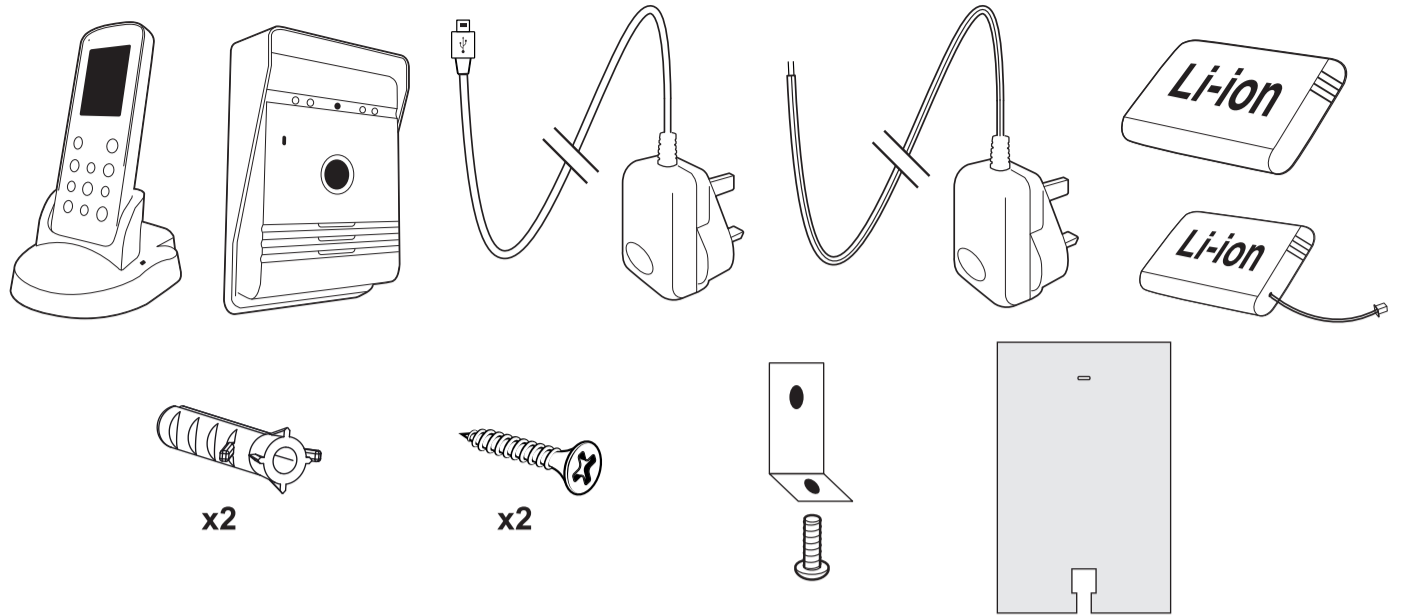


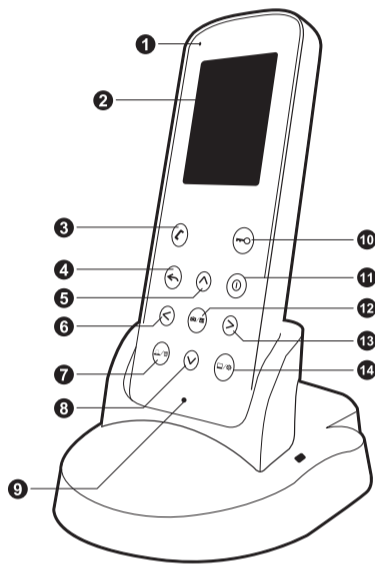
Included in the pack:



WARNING

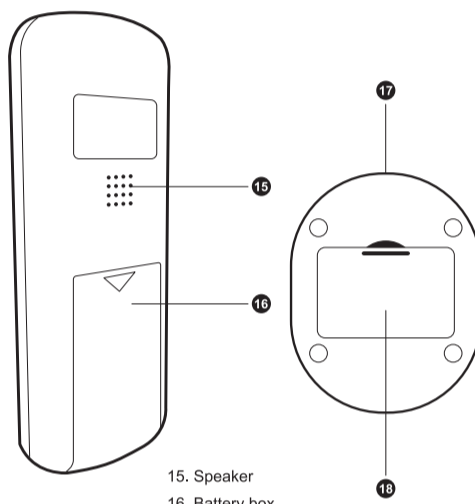
1. Please read these instructions carefully before installing and using the product.
2. Do not cut the power supply cable to extend it; the transformer will not operate with a longer cable.
Do not plug in the transformer until all the wiring has been finished.
3. This product is not a toy. Keep it out of reach of children.
4. Do not operate electrically powered products in explosive atmospheres, such as in the presence of flammable liquids, gases, or dust. Electrically powered products create sparks which may ignite the dust or fumes.
5. The warnings, precautions, and instructions discussed in this instruction manual cannot cover all possible conditions and situations that may occur. It must be understood by the operator that common sense and caution are factors which cannot be built into this product, but must be supplied by the operator.
6. Do not expose the Power Adapter of this product to rain or wet conditions. Water entering the Power Adapter will increase the risk of electric shock.
7. Do not abuse the Power Cord. Never use the cord for unplugging the plug from the outlet. Keep cord away from heat, oil, sharp edges or moving parts. Damaged or entangled cords increase the risk of electric shock.
8. The adapter must match the outlet. Never modify the plug in any way. Unmodified plugs and matching outlets will reduce risk of electric shock.

Key Features

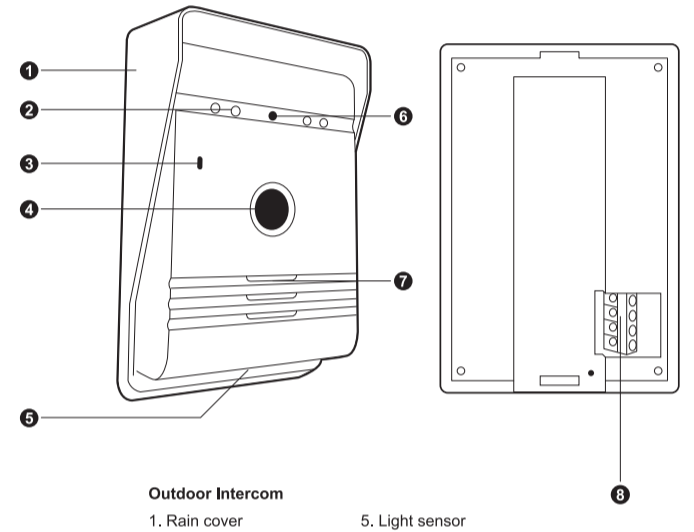


Indoor Monitor

1. Charging LED
2. Screen
3. Intercom button
4. Exit Button
5. Up button
6. Left button
7. Monitor / Delete button
8. Down button
9. Microphone
10. Unlock button
11. Power on/off
12. Photo/confirm button
13. Right button
14. Playback/Set button



15. Speaker
16. Battery box
17. DC in
18. Outdoor battery charger



Outdoor Intercom

1. Rain cover
2. Night vision light
3. Microphone
4. Call button
5. Light sensor
6. Camera lens
7. Speaker
8. Connector box

Install & Setup

Always test the product in location before installation. Be aware that different materials in between the Outdoor Intercom and Indoor Monitor will affect the operating performance of the product. Follow the Wiring and pairing guides to test the product.

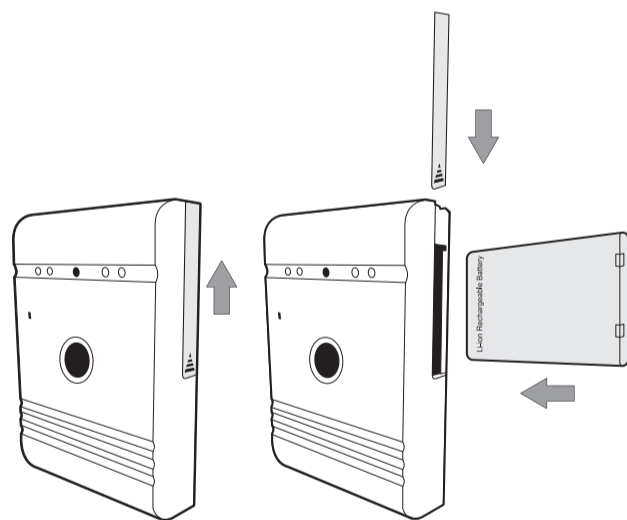
Install the Outdoor Intercom in a dry location if possible.

Mount the Intercom at a suitable height and position to allow the camera to see the visitor.

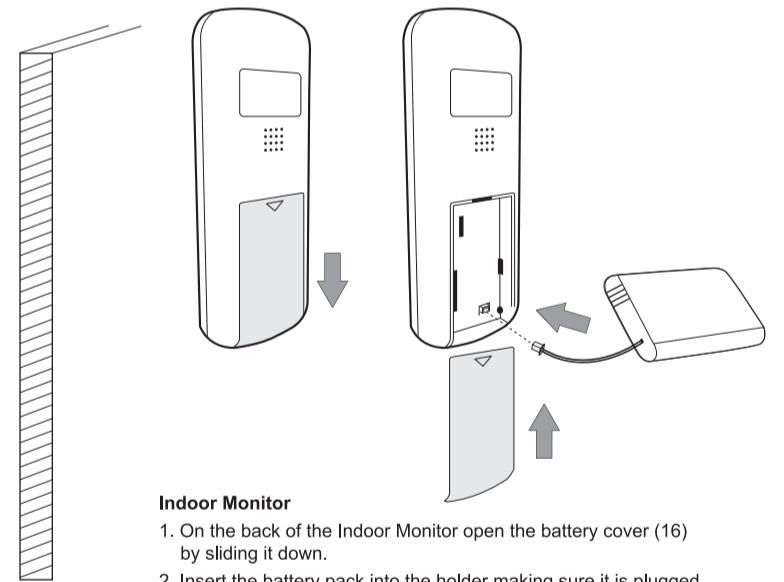
Battery Installation:

Outdoor Intercom

1. On the side of the Outdoor Intercom there is a battery compartment. Slide the cover open by pushing it up.
2. Insert the battery pack into the holder making sure it is inserted correctly with the "Li-ion rechargeable battery" text facing the front, please see image.
3. Slide the cover down and "Click" into position.



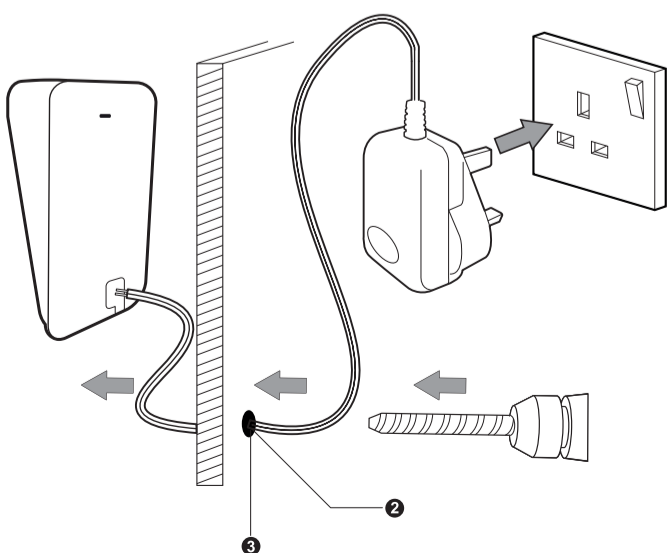
Outdoor Intercom



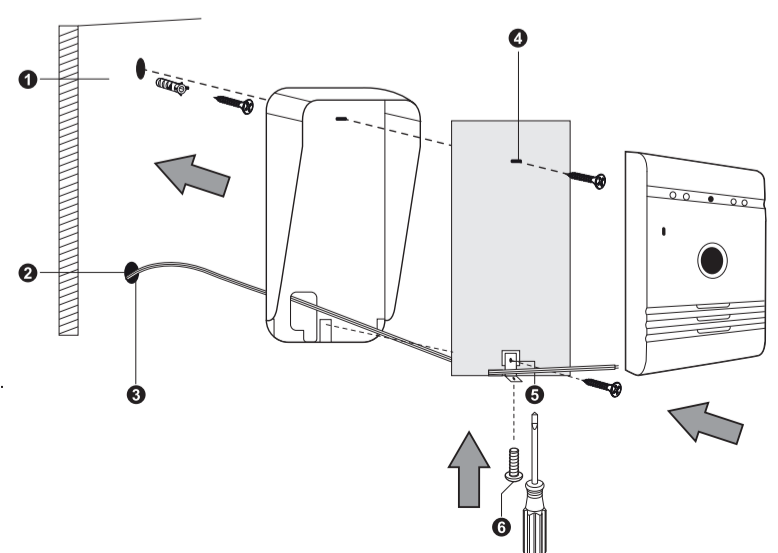
Indoor Monitor

1. On the back of the Indoor Monitor open the battery cover (16) by sliding it down.
2. Insert the battery pack into the holder making sure it is plugged in correctly. Please see image.
3. Slide the battery cover up and "Click" in position.

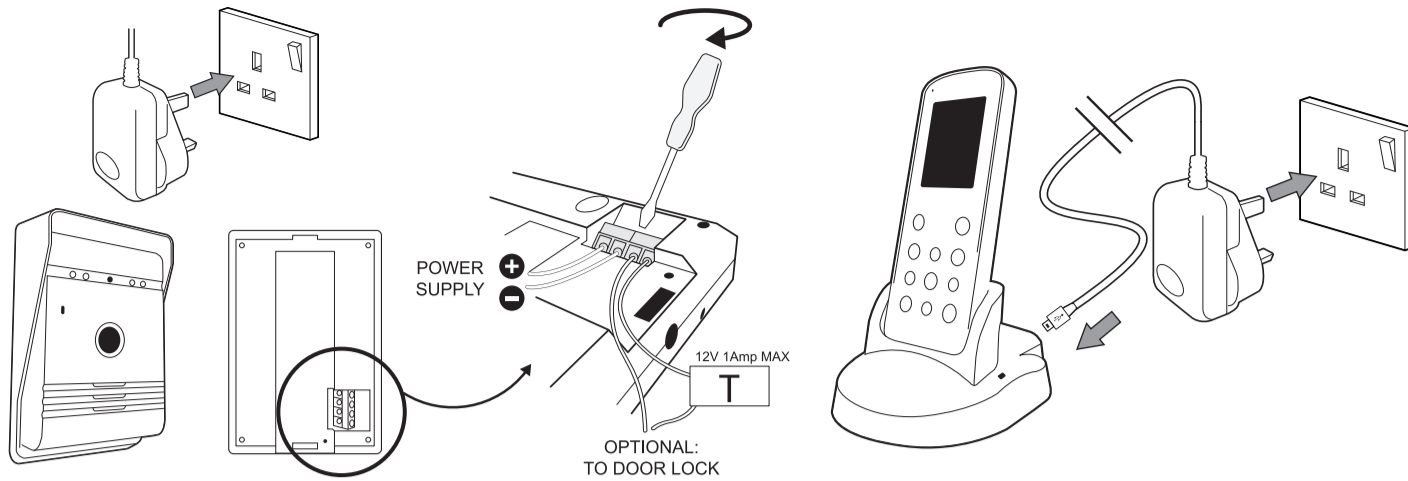
Wall Mounting



1. Select the location for the Outdoor Intercom and using the rain cover as a template mark and drill the holes to allow the supplied wall plugs to be fitted. (fig 1)
2. Also mark and drill the hole required for the power cables to go through the wall. (fig 2)
3. Push the power cables from the inside of the wall so they are visible on the outside. (fig 3)
4. Stick the sealing pad on the inside of the rain cover. (fig 4)
5. Secure the rain cover into position using the fixings supplied. Pay attention to the angle bracket (fig 5) on the bottom fixing making sure the power cables are pushed through the back plate seal hole on the bottom right.
6. Secure the power cables into the Intercom as per the wiring diagrams below.
7. Insert the intercom top first into the rain cover and put the bottom into position over the angle bracket.
8. Secure the intercom into position on the rain cover using the securing screw. (fig 6)



Wiring



Outdoor Intercom

1. Connect the DC power supply to the terminals marked + & - making sure the wires are installed the correct way around (See image above).
2. If required connect the door lock cables to the 2 terminals making sure a suitable power supply is used to power the door lock. (Items DB5005 and DB5005L - Not supplied)

Indoor Monitor charging:

1. Connect the USB lead to the Indoor Monitor base, plug the adaptor into a wall outlet and switch the wall outlet ON.

Pairing

1. Press the power (11) to turn on the screen.
2. Hold the (3) for 3 seconds and the screen will display "pairing".
3. Press the CALL button (4) once on the Outdoor Intercom to turn it on.
4. HOLD the CALL button (4) for 10 seconds on the Outdoor Intercom.
5. "Success" will be displayed on the Monitor to indicate pairing is complete.
6. If pairing did not work then "fail" will be displayed, please repeat step 2, 3 + 4 again.

Screen Icons

Outdoor Intercom

1. When a visitor presses the call button (4) of outdoor intercom, the indoor monitor will give a bell tone and activate the monitor screen. The indoor monitor screen will display a picture of the visitor automatically.
2. Press the Intercom (3) and speak to the visitor.
3. Press the Exit (4) to end the call and the screen will switch to standby mode.

Indoor Monitor:

1. The Monitor/Delete (7) can be used to see who is at the door when the Outdoor CALL button has not been pressed. (Only available when outdoor intercom is mains powered.)
2. Press the Intercom (3) and speak to the visitor.
3. Press the Exit (4) and the screen will switch to standby mode.

Unlock:

1. After identifying the visitor press the Unlock (10) to unlock the door. (Only for operation with an electric door opener MAX 12v 1A using separate power supply - Items DB5005 and DB5005L - Not supplied.)

Operation

Photograph

1. When a visitor presses the call (4) button of the Outdoor Intercom the Indoor Monitor will automatically take a photo.
2. On the Indoor Monitor press the Photo/Confirm (12) and it will take an extra photo of the visitor.

View / delete photo:

1. On the Indoor Monitor press the Playback/Set (14) to enter the picture menu.
2. Press the Up (5) or Down (8) buttons to view the stored photo.
3. Press the Monitor/Delete (7) button to enter delete dialog box.
4. Press the Left (6) or Right (13) button to select Yes / No.
5. Press the Photo/Confirm (12) button to confirm.
6. Press the Exit (4) button to exit.

To delete all photos:

1. On the Indoor Monitor press the Playback/Set (14) to enter the picture menu.
2. Hold the Monitor/Delete (7) button for 3 seconds and "delete all" will appear.
3. Press the Left (6) or Right (13) button to select Yes / No.
4. Press the Photo/Confirm (12) button to confirm.
5. Press the Exit (4) button to exit.

Setting the time / Date:

1. Hold down the Playback/Set (14) for 3 seconds to enter the main menu.
2. Press the Up (5) or Down (8) buttons to move through the menu options to time/date.
3. Press the Photo/Confirm (12) button to enter the submenu.
4. Press the Up (5) or Down (8) buttons to adjust the settings.
5. Press the Left (6) or Right (13) button to move through the time/date options.
6. Press the Photo/Confirm (12) button to save and exit.
7. Press the Exit (4) button to exit.

Adjust the Monitor brightness:

1. Hold down the Playback/set (14) for 3 seconds to enter the main menu.
2. Press the Up (5) or Down (8) buttons to move through the menu options to brightness.
3. Press the Photo/Confirm (12) button to enter the submenu.
4. Press the Up (5) or Down (8) buttons to select the level.
5. Press the Photo/Confirm (12) button to save and exit.
6. Press the Exit (4) button to exit.

Operation

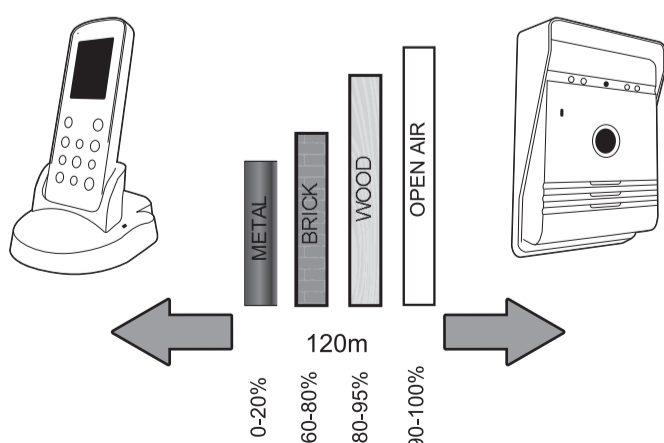
Adjust the ring volume:

1. Hold down the Playback/Set (14) for 3 seconds to enter the main menu.
2. Press the Up (5) or Down (8) buttons to move through the menu options to volume.
3. Press the Photo/Confirm (12) button to enter the submenu.
4. Press the Up (5) or Down (8) buttons to select the level.
5. Press the Photo/Confirm (12) button to save and exit.
6. Press the Exit (4) button to exit.

Setting the bell tone:

1. Hold down the Playback/Set (14) for 3 seconds to enter the main menu.
2. Press the Up (5) or Down (8) buttons to move through the menu options to chime.
3. Press the Photo/Confirm (12) button to enter the submenu.
4. Press the Up (5) or Down (8) buttons to select the tone.
5. Press the Photo/Confirm (12) button to save and exit.
6. Press the Exit (4) button to exit.

Range Guide



Test the chime before drilling any holes to ensure unit is within operating range.

Wire-free range is affected by some materials/structures. Test prior to installation.

In more detail

Technical Specifications

Specification:

| | |
|-----------------------------|--|
| Operating Frequency | : 2400-2483.5MHz |
| Transmission rate | : 15-25fps (only for effective distance) |
| Open field operating range: | 120m |
| TX power | : 14 - 18dBm |
| RX sensitivity | : -85dBm |
| Operating Temperature | : -10°C - +50°C |
| Storage Temperature | : -20°C - +60°C |
| Operating Humidity | : ≤85% RH |

Outdoor Camera

| | |
|---------------------|----------------------|
| Image sensor type | : CMOS |
| View Angle | : 55° |
| Supply Voltage | : DC 5V 1A |
| Consumption Current | : 250mA (± 50mA) |
| Charging time | : Around 5 hours |
| Battery | : 3.7v 1500mAh |
| Adaptor | : IP: 240v OP: 5v 1A |

Indoor Monitor

| | |
|---------------------|----------------------|
| Screen size | : 2.4" |
| Resolution | : 320 x 240 (RGB) |
| Supply Voltage | : DC 5V 1A |
| Consumption current | : 350mA (± 50mA) |
| Charging time | : Around 5 hours |
| Image format | : JPEG |
| Battery | : 3.7v 1200mAh |
| Adaptor | : IP: 240v OP: 5v 1A |

Notes

Do not leave the product on uneven or unstable surfaces to prevent damage caused by falling.

Try to avoid placing the product on high-temperature surfaces, high humidity or a lot of dust, salt spray and other harsh environments as this may reduce the lifespan of the product.

Conforms to all relevant European Directives.

Smartwares declares that this appliance complies with the main essential requirements of the Radio Equipment Directive 2014/53/EU. The complete declaration of conformity is available on request at:

| | | |
|---|---|------------------|
| smartwares Europe | NL: 088 5940501 Lokaal tarief | CUSTOMER SERVICE |
| | BE: 078 481094(NL) Lokaal tarief | |
| Jules Verneweg 87 5015 BH Tilburg The Netherlands | FR: 0825 560 650 Tarif local | |
| | DE: +49 (0) 1805 010762 14CL/Min. dt. Festnetz, Mobil max. 42CL/Min | |
| service.smartwares.eu | UK: +44 (0) 345 230 1231 ES: +34 938427589 | |



These symbols indicate that this product must not be disposed of with other household rubbish in the EU. In order to avoid all damage to the environment or to human health with rogue disposal, responsibly recycle this product in order to encourage reuse of the material resources. To return your used device, please use collection and return systems, or contact the dealer where you bought this product. He will take the product in order to protect the environment.

Frequency 2.4GHz

Safety Information

Precaution

- Do not cover the ventilation openings with objects such as newspaper, table cloths, curtains, etc.
- Do not allow this product to get directly into contact with heat sources or naked flames.
- The normal operation of the product may be disturbed by strong electro-magnetic interference.
- This equipment is built exclusively for a domestic use. The device must not be exposed to splashes and it must not be submerged.
- No object containing liquids, such as a vase, may be placed on the device.
- Maintain a minimum safety distance of 10cm all around the product in order to insure proper ventilation.
- Insure the doorbell push button is not installed where it may be covered by water or rain.
- Do not allow children to play with the device.

Warning about batteries

- Only an adult may replace and install batteries.
- Remove used batteries from this device.
- Do not dispose of batteries in fire, they may explode or leak.
- Do not short-circuit battery terminals.
- DO not use any other type of battery other than the rechargeable pack supplied or similar.
- Do not allow this device to get directly into contact with heat sources or flames.
- Do not allow water to enter into contact with the batteries or the wires.
- Install with caution to avoid damaging the batteries.
- During battery installation in their compartment, insure proper polarity (+) / (-).
- Only use recommended batteries.
- Remove the batteries if the device remains unused for long periods.
- Keep the device away from small children.
- Keep the unused batteries in their original packaging.
- At the end of its life, this product must be returned to a waste processing center in order to extract the batteries.